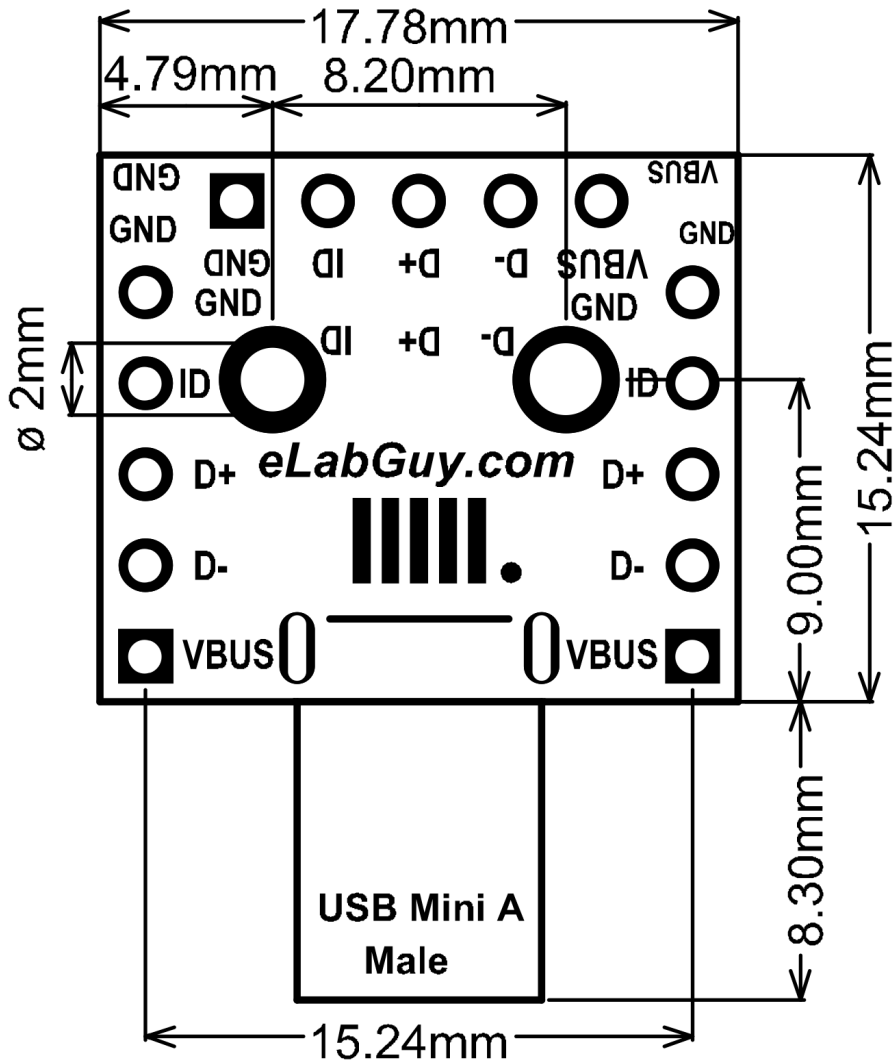
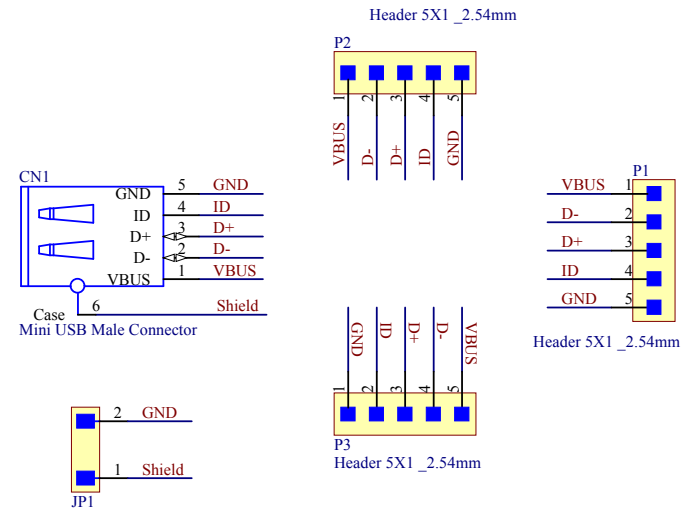


* PCB 1.6mm THICKNESS



USBMn-BM-BO-V1A PCB outline Drawing



USBMn-BM-BO-V1A Schematic Diagram



Title				USB Mini Type B Male Breakout	
Size	Number	Revision			
A4	USBMn-BM-BO-V1A	1A			
Date:	6/11/2015	Sheet of	1 of 1		
File:	C:\Users\...USBMn-BM-BO-V1A Drawings	Drawn By:	www.eLabGuy.com		